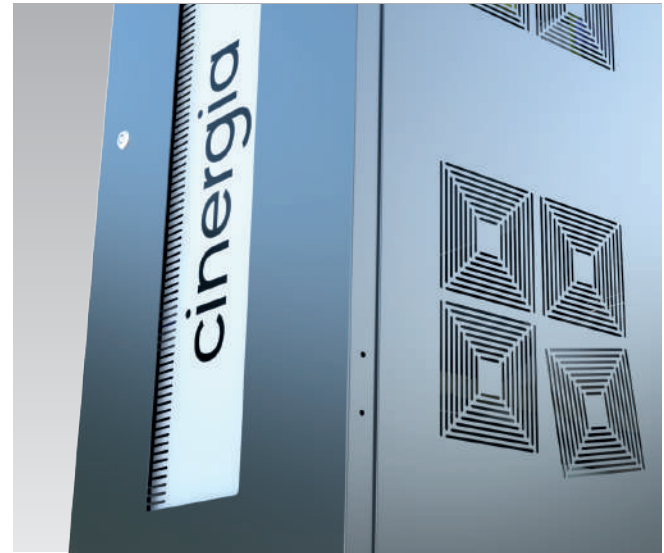
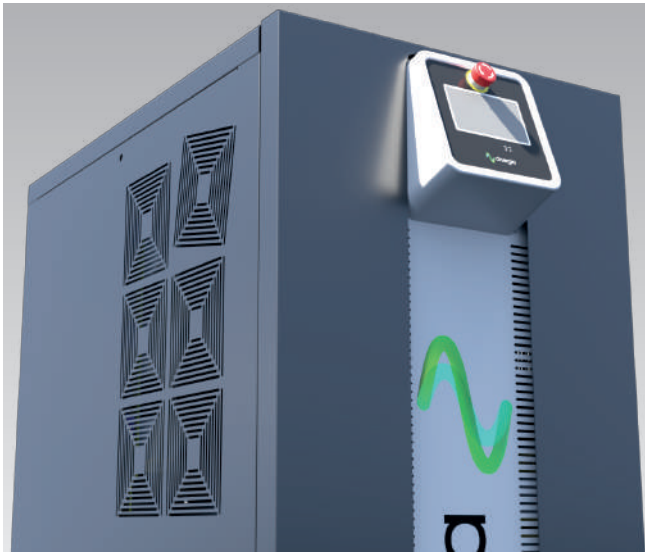




One of a kind Regenerative AC Electronic Load

EL+ vAC is a 4Q programmable AC Current Source designed to emulate the electrical behaviour of passive and active devices connected to the grid. This is the perfect match for testing EV charging infrastructure, smartgrids research, ESS, UPS and in general AC Sources.





The best combination of performance and price

Electronic Loads are power electronic devices specifically designed to emulate AC electrical loads. Our devices are powerful enough to test electrical and electronic equipment in both linear and non-linear consumptions.

These devices allow the validation of power sources or electrical equipment under test in both normal and failure operations. Smart grids, Testing UPS, Electrical Vehicles, Renewable Inverters, AC sources and electrical equipment in Industrial and R&D environments are the main applications of our EL ePlus vAC equipment.



cinergia

Bidirectional and Regenerative

Clean grid current

THDi < 3% and PF > 0.98

13 Models

from 7.5kW to 160kW

**Parallelization of units to
increase the power**



Emulation of grid-connected

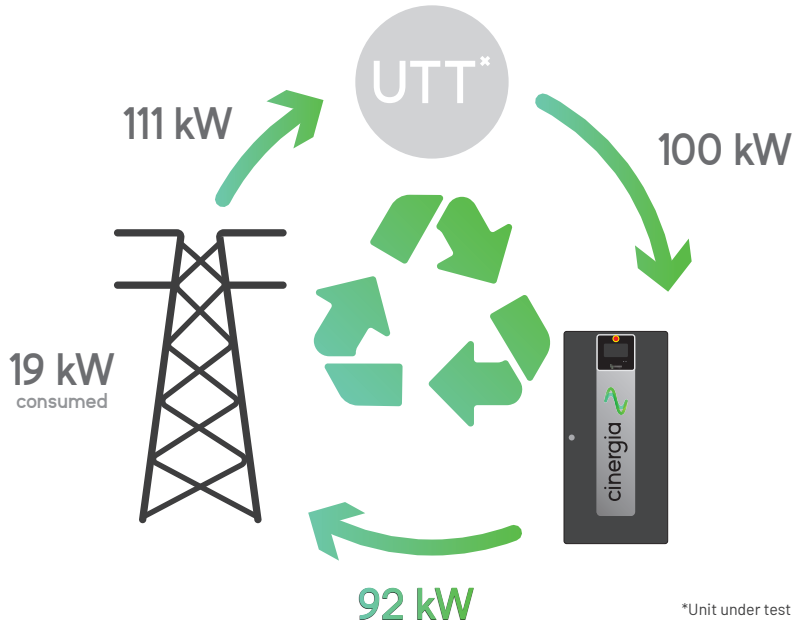
Loads absorbing energy from grid
Generators injecting energy to the grid
Programmable Active/Reactive consumption
Non-linear currents up to CF of 3

Independent phase configuration

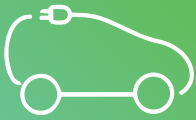
RMS Current, Phase angle, Harmonics, Interharmonics,
Generation of fast transients ("Current Dips")

Intuitive User Interface

**Modbus/Ethernet Open
protocol, Labview drivers**



CINERGIA's electronic Loads have the capability to recover energy during the testing procedures and return it to the grid, providing significant savings in energy consumption and power required.



ELECTROMOBILITY



SMARTGRIDS



ACADEMIC &
INDUSTRIAL TEST

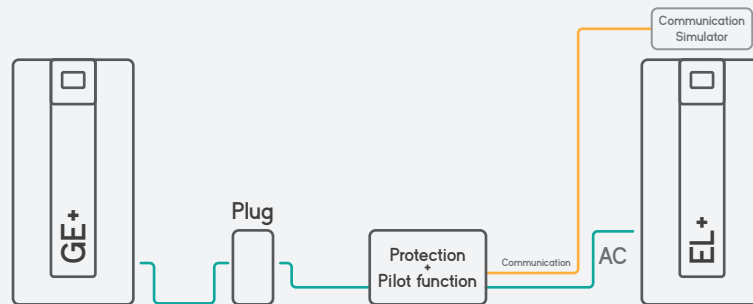


AERONAUTICS

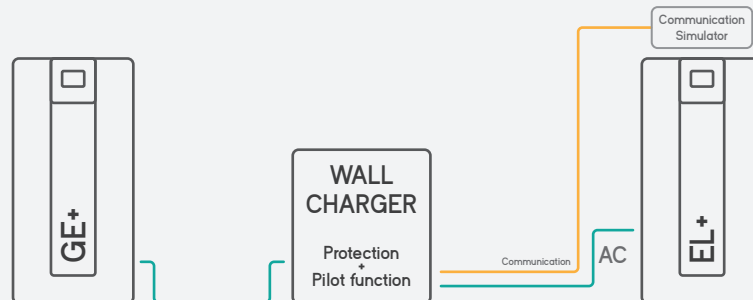
Electromobility Test Platform

Our Regenerative Electronic Load will emulate the electrical behaviour of an EV to test the output of a charger or a mode 2 cable.

EVSE Mode 2 Test Platform for Type 2 Charging Cables



EVSE Mode 3 Test Platform for Wall Chargers





More than
2,2 MW

of power supplied in AC
Electronic Loads since 2014



Better than ever, the enhanced Plus family

Master/slave connection

for up to 8 units using a fiber optic link to increase power capabilities

Improved control

30kHz closed control loop frequency with 300kHz oversampling technique

More harmonics

50 per phase with 20 free harmonics in AC models

Delta connection

added to the star connection, for the EL mode in AC

Optimized RLC Mode

RMS or instantaneous RLC model for anti-islanding test

Related Products



EL+ vAC/DC Full

The EL+ family is power electronic device designed to emulate AC and DC electrical loads.

AC Power
7.5 kW - 160 kW

AC Current
11 A - 232 A



GE&EL+ vAC

The GE&EL product family is the aggregation of Grid Simulators, Electronic Loads.

AC Power
7.5 kW - 160 kW

AC Current
11 A - 232 A



EL+ vHF

Regenerative Electronic Load products capable of working in a frequency range of 360 to 900Hz. Designed to simulate the different loads that can be found in the aircraft.

AC Power
7.5 kW - 160 kW

AC Current
11 A - 232 A

for more information about available models consult the datasheet of this product. (models from 7.5 to 160 kW)

**Regenerative
Power Electronic
Solutions**

cinergia

Can Baletes 7, Nau A
08310 Argentona
Barcelona (Spain)
+34 934 864 358
info@cinergia.coop

Follow us on:
Youtube, LinkedIn, Twitter